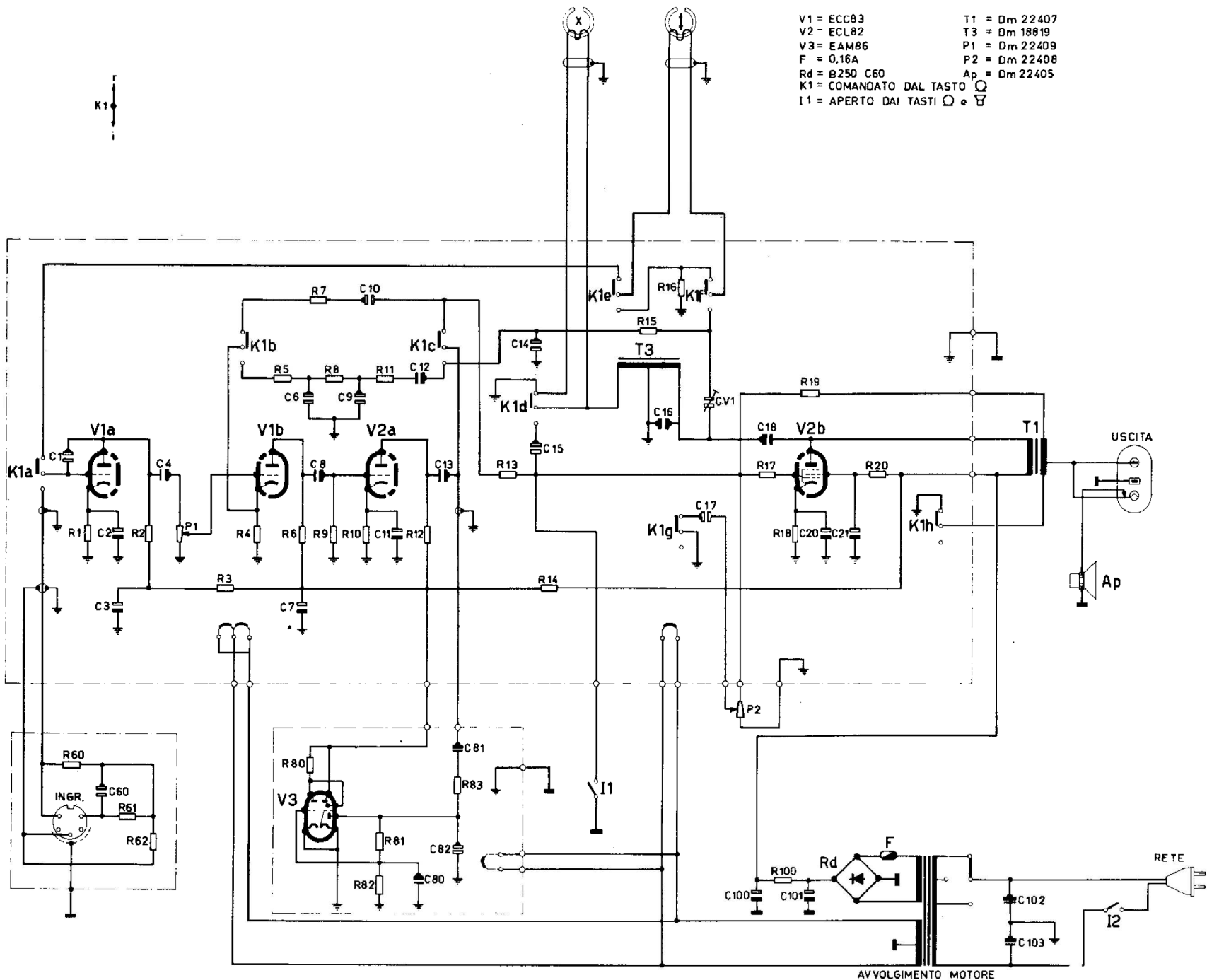


K1

V1 = ECC83
 V2 = ECL82
 V3 = EAM86
 F = 0,16A
 Rd = B250 C60
 K1 = COMANDATO DAL TASTO \square
 I1 = APERTO DAI TASTI \square e ∇

T1 = Dm 22407
 T3 = Dm 18819
 P1 = Dm 22409
 P2 = Dm 22408
 Ap = Dm 22405



R1	= 1,5 K Ω	0,5W	$\pm 10\%$
R2	= 47 K Ω	0,33W	$\pm 10\%$
R3	= 47 K Ω	0,5W	$\pm 10\%$
R4	= 3,3 K Ω	0,33W	$\pm 5\%$
R5	= 150 K Ω	0,33W	$\pm 5\%$
R6	= 220 K Ω	0,33W	$\pm 10\%$
R7	= 300 K Ω	0,33W	$\pm 5\%$
R8	= 150 K Ω	0,33W	$\pm 5\%$
R9	= 1 M Ω	0,33W	$\pm 5\%$
R10	= 3,3 K Ω	0,5W	$\pm 10\%$
R11	= 150 K Ω	0,33W	$\pm 5\%$
R12	= 100 K Ω	0,33W	$\pm 10\%$
R13	= 82 K Ω	0,5W	$\pm 10\%$
R14	= 10 K Ω	0,5W	$\pm 10\%$
R15	= 180 K Ω	0,5W	$\pm 10\%$
R16	= 100 Ω	0,33W	$\pm 2\%$
R17	= 4,7 K Ω	0,5W	$\pm 10\%$
R18	= 390 Ω	2W	$\pm 10\%$
R19	= 820 K Ω	0,5W	$\pm 10\%$
R20	= 12 K Ω	2W	$\pm 10\%$
R60	= 220 K Ω	0,33W	$\pm 5\%$
R61	= 470 K Ω	0,33W	$\pm 5\%$
R62	= 10 K Ω	0,33W	$\pm 5\%$
R80	= 100 K Ω	0,5W	$\pm 10\%$
R81	= 1,5 M Ω	0,5W	$\pm 10\%$
R82	= 1 M Ω	0,5W	$\pm 10\%$
R83	= 56 K Ω	0,5W	$\pm 10\%$
R100	= 1 K Ω	1,5W	$\pm 10\%$
C1	= 3,3 pF	500Vcc	± 1 pF
C2	= 10 μ F	12Vl	$\pm 10+50\%$
C3	= 1 μ F	250Vl	$\pm 10+50\%$
C4	= 22 nF	400Vn	$\pm 20\%$
C6	= 220 pF	500Vcc	$\pm 5\%$
C7	= 16 μ F	250Vl	$\pm 10+50\%$
C8	= 10 nF	400Vn	$\pm 20\%$
C9	= 150 pF	500Vcc	$\pm 5\%$
C10	= 680 pF	600Vcc	$\pm 10\%$
C11	= 10 μ F	12Vl	$\pm 10+50\%$
C12	= 10 nF	400Vn	$\pm 20\%$
C13	= 47 nF	400Vn	$\pm 20\%$
C14	= 470 pF	600Vcc	$\pm 10\%$
C15	= 330 pF	600Vcc	$\pm 20\%$
C16	= 1 nF	500Vcc	$\pm 5\%$
C17	= 3,9 nF	500Vcc	$\pm 20+50\%$
C18	= 1,5 nF	1000Vn	$\pm 10\%$
C20	= 50 μ F	25Vl	$\pm 10+150\%$
C21	= 16 μ F	250Vl	$\pm 10+50\%$
C60	= 68 pF	600Vcc	$\pm 10\%$
C80	= 68 nF	125Vcc	$\pm 10\%$
C81	= 10 nF	125Vcc	$\pm 10\%$
C82	= 150 pF	500Vcc	$\pm 10\%$
C100	= 50 pF	350Vn	$\pm 10+50\%$
C101	= 50 μ F	350Vn	$\pm 10+50\%$
C102	= 2,2 nF	630Vn	$\pm 20\%$
C103	= 2,2 nF	630Vn	$\pm 20\%$

SIMBOLI' CONDENSATORI

- CERAMICO
- DIELET. PLASTICO
- COMPENSATORE
- ELETTROLITICO
- MICA